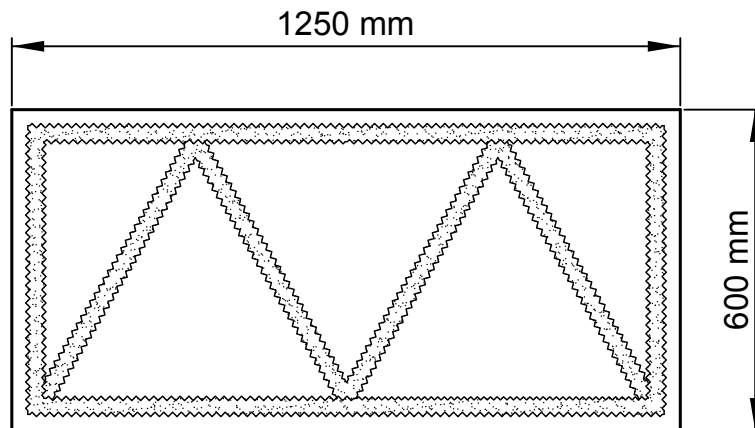
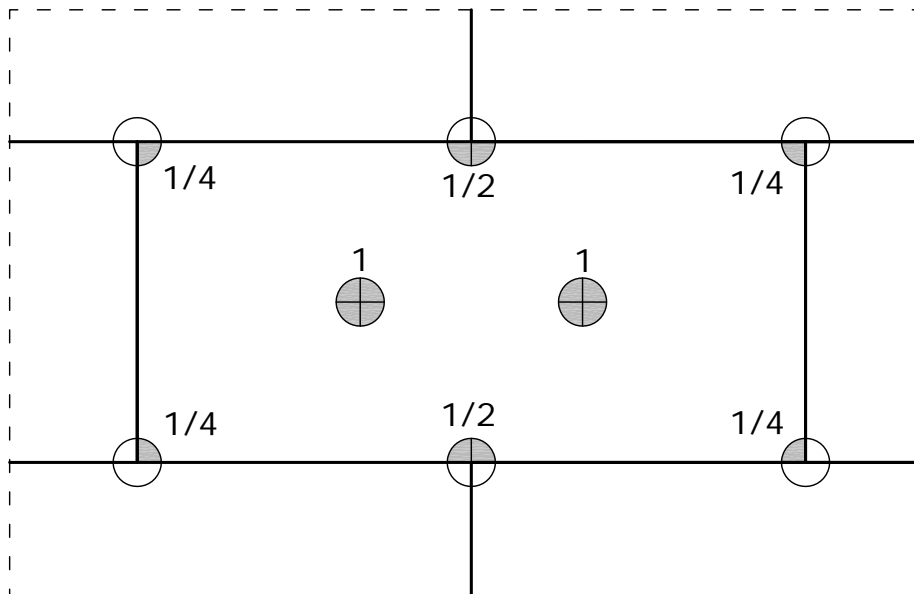



Bonding and dowelling JACKODUR® Gefiniert as plinth insulation

- ▶ **Bonding** with JACKODUR® Perimeter adhesive foam



- ▶ **Dowelling** with JACKODUR® Etics anchors, 4 anchors/board (0,75 m²)



System	Building above ground level JACKODUR® Thermal insulation	<p>Note: The information in this drawing represents our current state of knowledge and experience. They do not represent any guarantee in the legal sense of the term.</p> <p>When using these products, the specific conditions relative to the particular application must always be taken into account, especially with regard to structural physics, civil engineering and statutory building regulations.</p>	 www.iackon-insulation.com
Date	04/2018		
Detail	02-011		