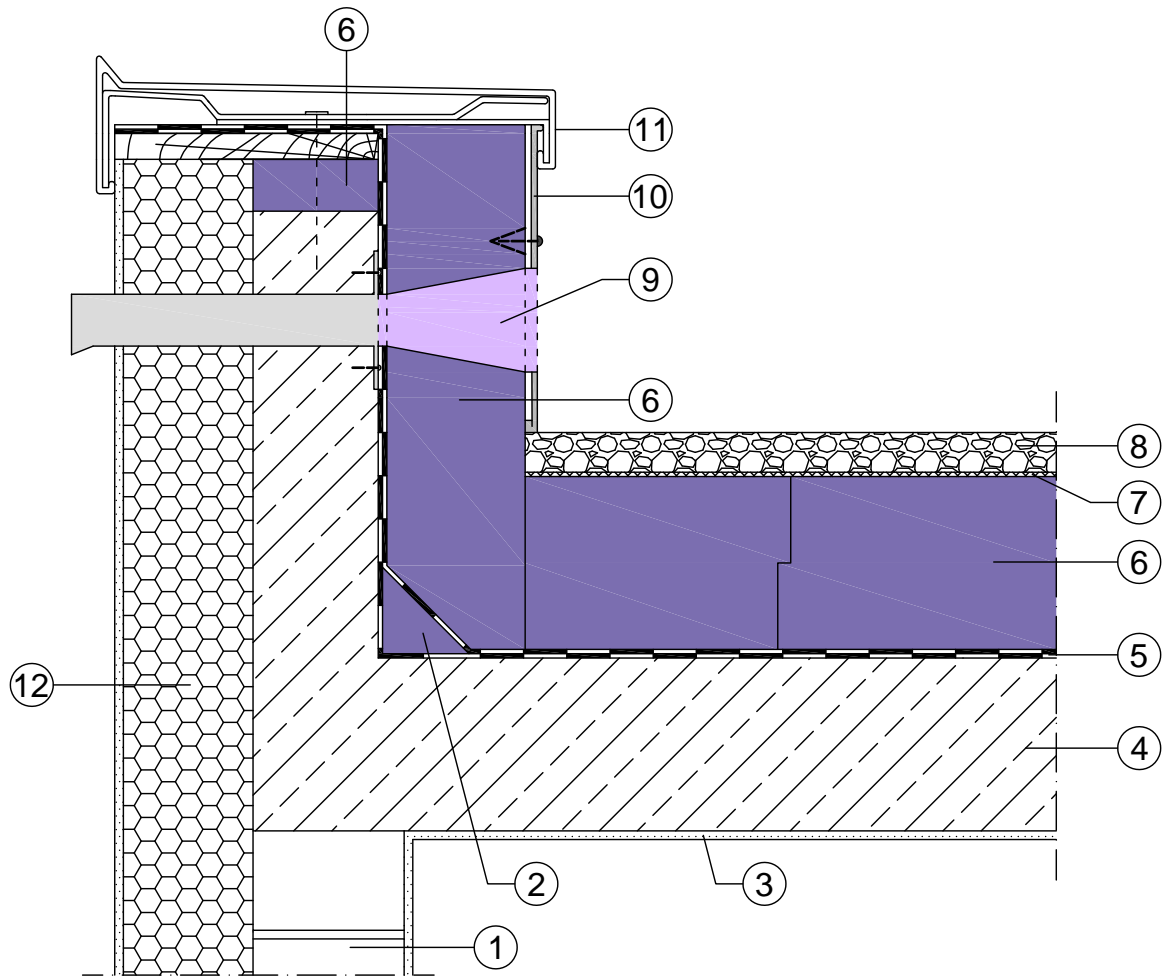



Roof edge detail - with attica emergency drainage



- | | |
|---|--|
| ① Masonry with internal plaster | ⑧ Gravel |
| ② JACKODUR® Angle fillet | ⑨ Roof edge emergency drainage with insulation cavity |
| ③ Interior plaster | ⑩ Wall connection bar with insulation fixing and metal screw |
| ④ Reinforced concrete ceiling | ⑪ Metal cover with retainer doweled on wooden plank |
| ⑤ Double layer of waterproofing with primer | ⑫ ETICS |
| ⑥ JACKODUR® KF 300 Standard SF | |
| ⑦ JACKODUR® Filter layer WA | |

System	Roof	<p>Note: The information in this drawing represents our current state of knowledge and experience. They do not represent any guarantee in the legal sense of the term. When using these products, the specific conditions relative to the particular application must always be taken into account, especially with regard to structural physics, civil engineering and statutory building regulations.</p>	 www.iackon-insulation.com
Date	04/2018		
Detail	03-008		