

JACKOBOARD[®] Aqua Line Easy

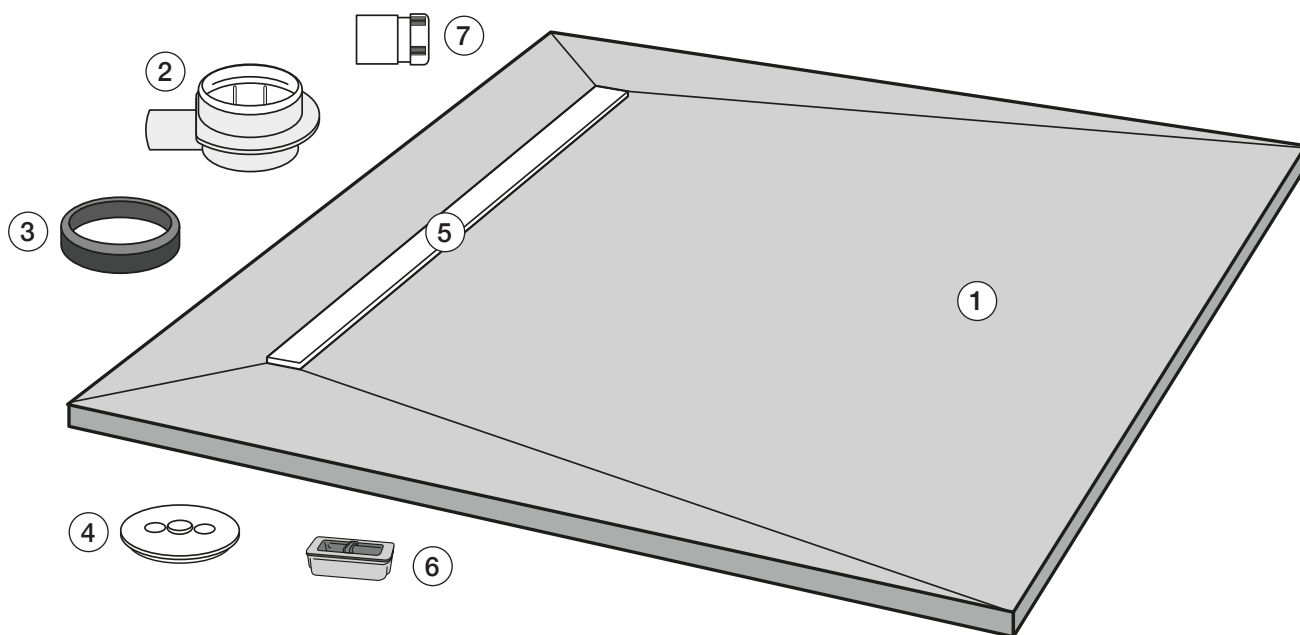
Shower Base - Suspended Timber Floors.



Installation Guide



System components

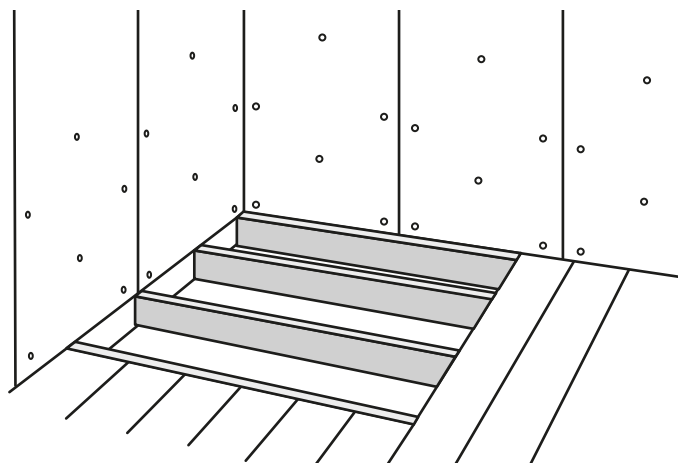


- ① Aqua Line Easy Shower Base
- ② Horizontal (or vertical) floor drain
- ③ Retaining Ring with Seal Ring (incorporated)
- ④ Protective cover
- ⑤ Stainless Steel drain cover (can be inverted and tiled)
- ⑥ Trap cup (pre-fitted within base nozzle and removable for maintenance and cleaning)
- ⑦ Compression Fit Adaptor

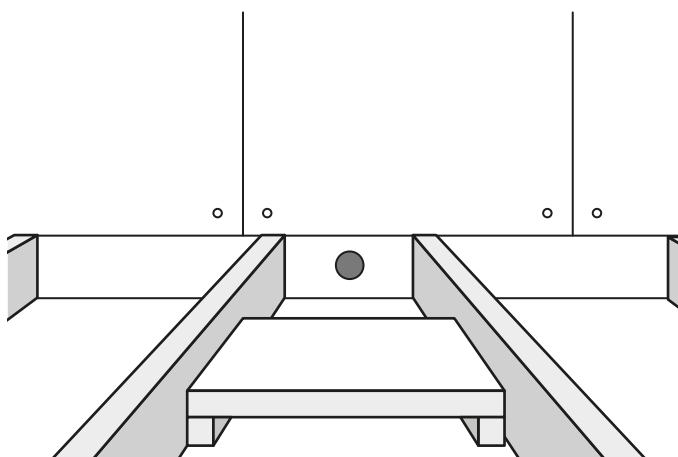
Position the shower base on the solid floor having removed the trap cup from the shower base and draw around the orifice to mark the drain position on the floor. The following instructions assume you are bonding the shower

base on top of the existing solid floor. Alternatively, in a new or refurbishment build you could create a recess in the slab and or screed to allow for some (or all) of the thickness of the shower base.

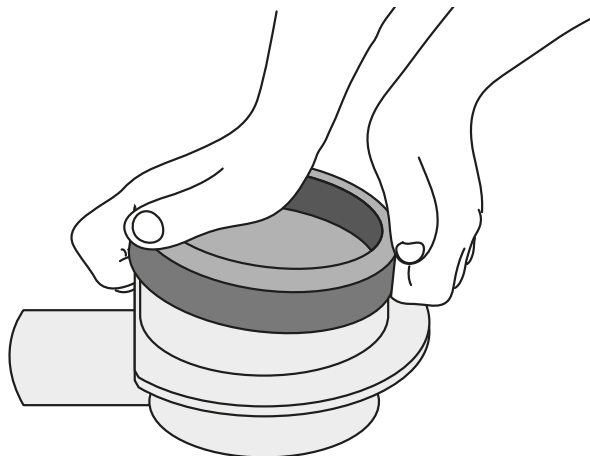
1) First of all remove the floor boarding covering the area within which the base is to be fitted back to the nearest floor joist.



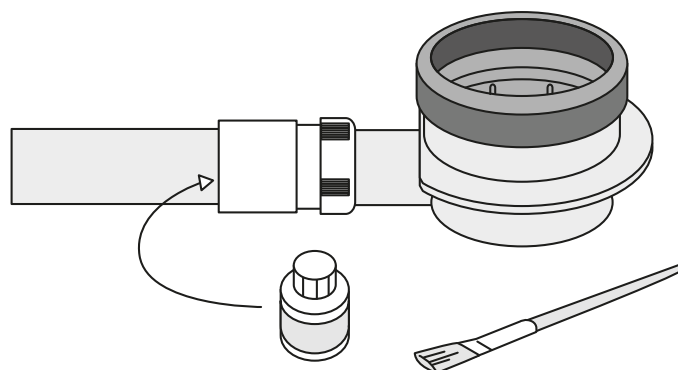
2) Construct a small sub-floor between the joists to support the drain body. As a guide, this sub-floor should be 110mm below the top of the joists.

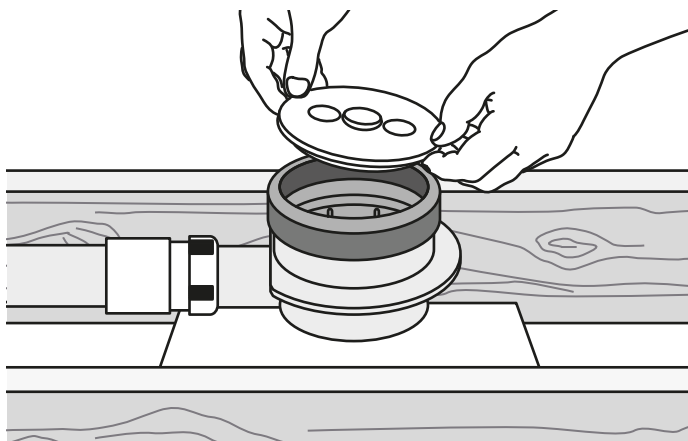


3) Place the retaining ring with seal ring on the drain unit and push it down firmly until it audibly clicks into place.

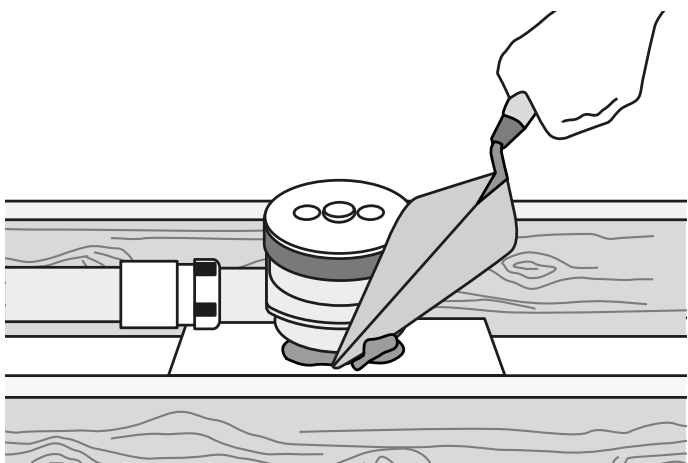


4) Fully tighten the Compression Fit Adaptor onto the spigot of the drain and then solvent weld a 2" ABS British Standard waste pipe to the connector.

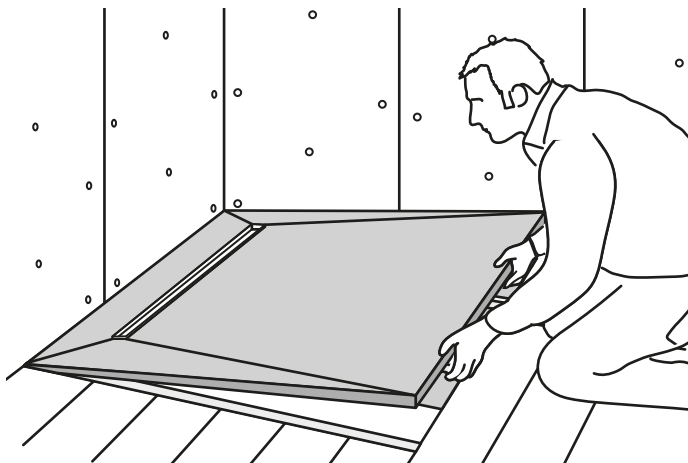




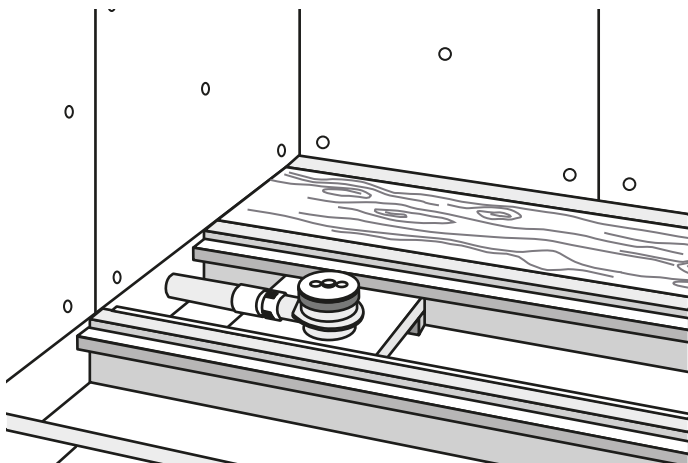
5) Cover the floor drain with the protective cover.



6) Place a dab of tile adhesive or mortar under the drain body to bring it level with the top of the joists.

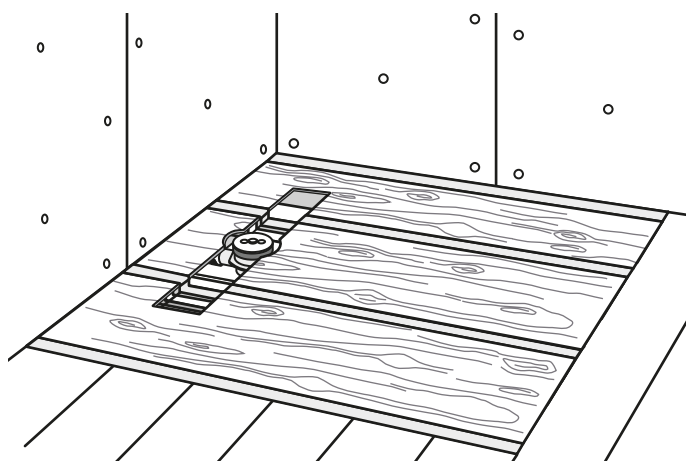


7) Position the shower base over the drain to make sure they are correctly aligned. (But don't remove the protective cover and force the nozzle in to the drain). Ensure any connections created are waterproof at this stage because it will not be possible to return to them once the unit is tiled. (You can do this by pouring water down the drain to check the seals).

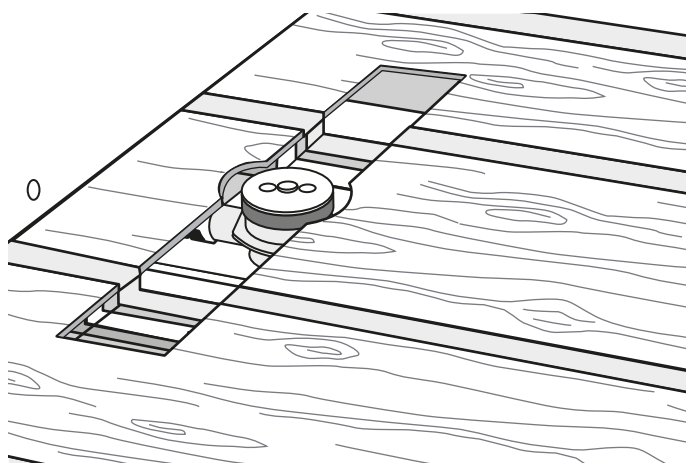


8) Then construct a sub-floor between the joists by screw-fixing batons to the sides of the floor joists (see diagram) and then filling the spaces between the joists with say 18mm plywood. Because you will be overlaying the rest of the floor with 10mm thick JACKOBOARD® Construction Board position the support batons so that the shower base will be 10mm proud of the surrounding timber floor.

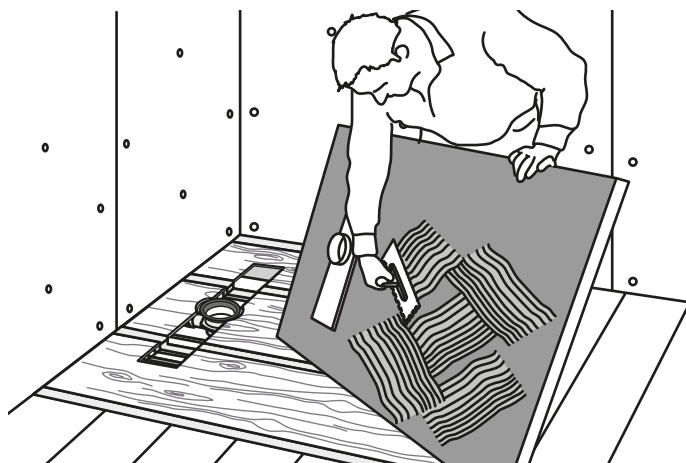
9) You will also then need to cut sections out of the ply sub-floor to accommodate the length of the plastic drain fitting which projects from the underside of the shower base. Use the white polystyrene packaging in the shower base carton as a template for this cut out. Notch the floor joists by 2cm where this template crosses them.



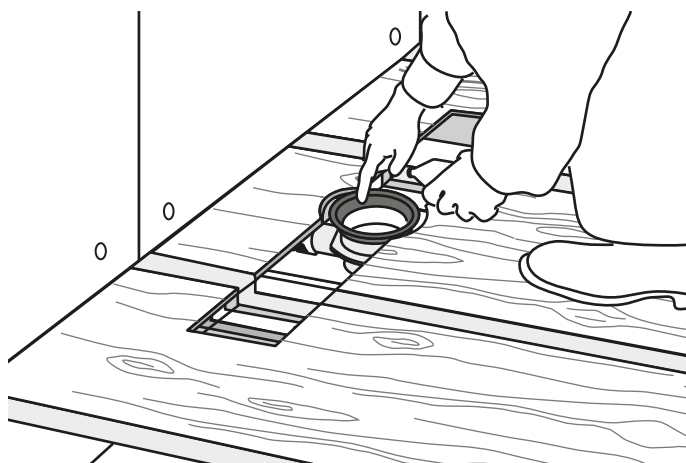
10) The template also provides a 160mm diameter cut-out for the waste. Again, check to ensure that the drain, cut-out and base are correctly aligned.

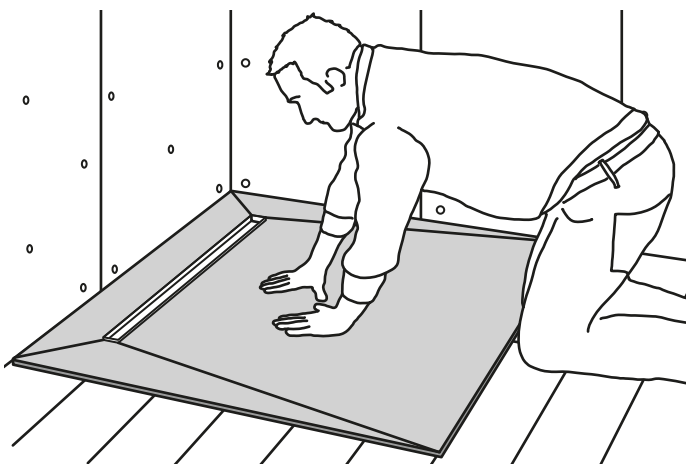


11) Prime the timber floor with a suitable primer (such as TileBacker Timber Primer and Sealant). Comb out a continuous layer of cement-based single part flexible tile adhesive (such as TileBacker Rapid-Flex Adhesive) to the underside of the shower base using a 10mm notched spreader. Keep the adhesive clear of the drain nozzle area.

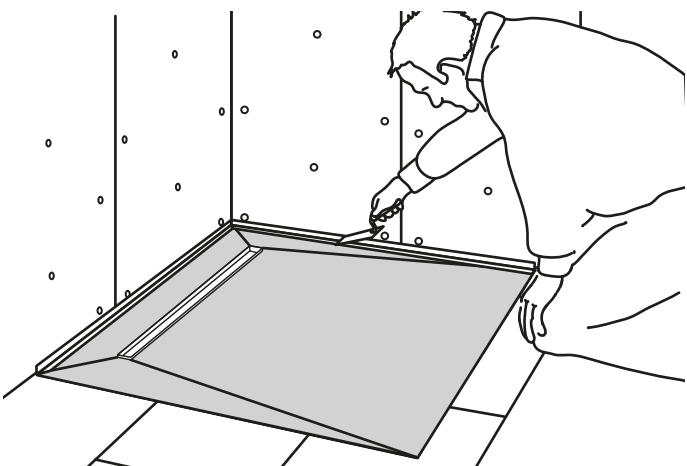


12) Remove the protective cover, and grease the seal ring on the drain body to ease installation of the shower base.





13) Carefully position the Aqua Line Easy shower base over the drain body and push firmly into place, making sure the drain nozzle fits into the seal ring on the drain body. Check that the shower base is level.



14) Build up the surrounding floor area with JACKOBOARD® Construction Board (10mm) to bring it level with the shower base and then seal and tape all joints with an appropriate sealing system (such as the JACKOBOARD® sealing Set) for example.

Tiling can now commence. A tapering stainless steel Line Profile is available for the single fall 40mm thick base to cover the slope where the base meets the surrounding construction board floor.

The stainless steel drain cover can be inverted and tiled on the reverse, if desired. All types of tile can be used, in principle. When using mosaic tile 25mm square or smaller

then we recommend using an epoxy grout. If showers are to be wheelchair accessible the tiles must be at least 50mm square.

On bases with four sided falls, tiles bigger than 100mm square must be cut to follow the valleys of the falls.

Please note

The information in this leaflet is based on our experience and current materials specification. It represents no specific guarantee and the instructions for use outlined should be always observed together with considerations regarding building structure and existing Building Law.