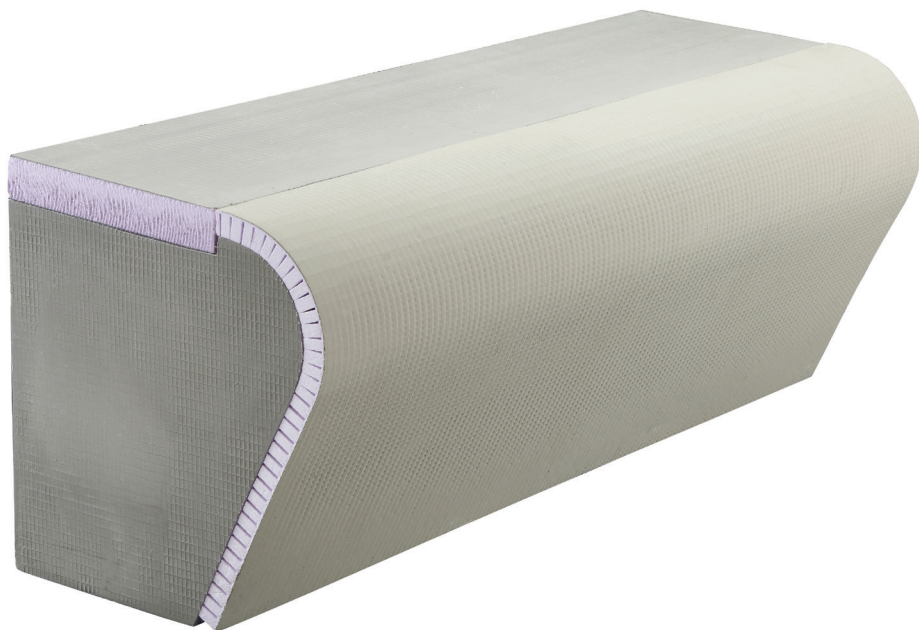


JACKOBOARD®

Steam and Wet Room Sealing Kits

Assembly instructions for Curved Edge Kits

1200mm long, suitable for large format tiles.



Assembly and installation instructions

Assembly Instructions for Curved Edge Kits

Jacoboard Steam and Wet Room Seating Kits are the simple, waterproof, cost effective and flexible way to create stylish tiled seating in steam rooms and wet rooms.

The kits can be easily trimmed to suit the dimensions of your job by making simple straight cuts using hand tools to the individual components before assembly.

You can assemble the unit either on a work bench or in situ.

First of all, make sure you have all the items in the kit and familiarise yourself with them.

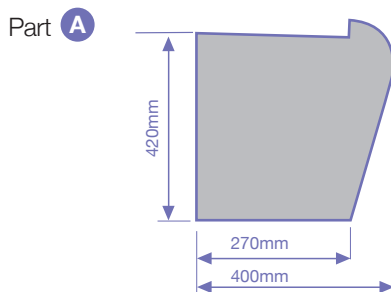
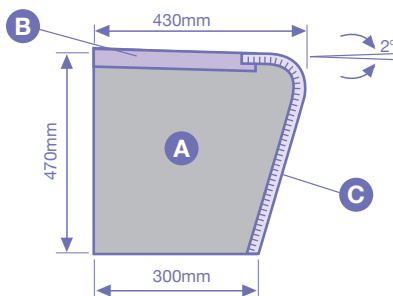
Kit Contents

A	Support Profile 50mm	4
B	Seat Top 50mm	1
C	Seat Front Flexo Plus	1
4506342	Board Fix Adhesive	2
100mm Screws & Washers		20

Tools you will need

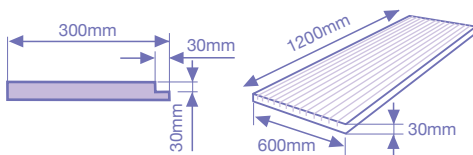
- Hand or Jig saw
- Phillips screwdriver
- Tape measure or ruler
- Straight Edge
- Spirit Level
- Set Square

Parts

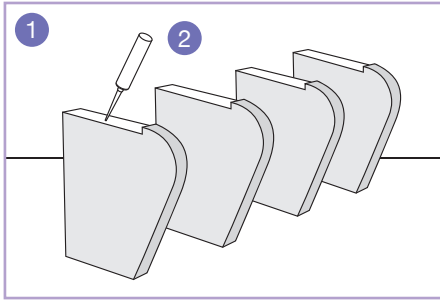


Part **B**
50mm x 1200mm

Part **C** Flexo Plus
30mm x 1200mm

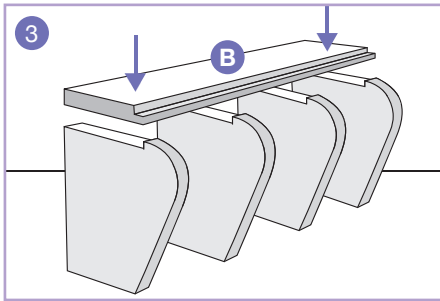


Installation

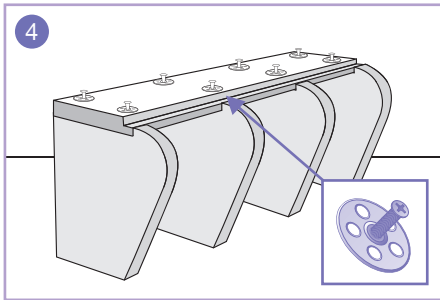


1. Take the four Support Profiles (**Parts A**) and place them upright on your bench.

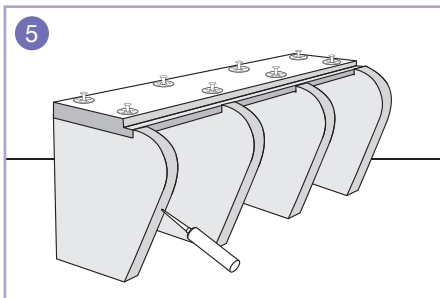
2. Lay a generous bead of Board Fix Adhesive in the recesses on the top of each Support Profile.



3. Take the Seat Top (**Part B**) and press it firmly into place in the recesses.

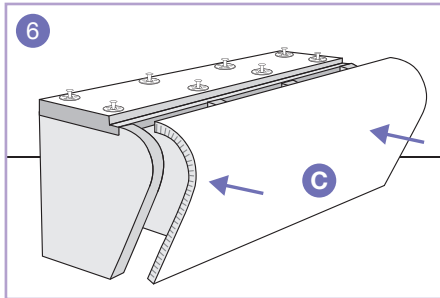


4. Screw and washer fix through the Seat Top into each Profile at the rate of two fixings per Profile. Check for square and allow to cure for a few minutes.

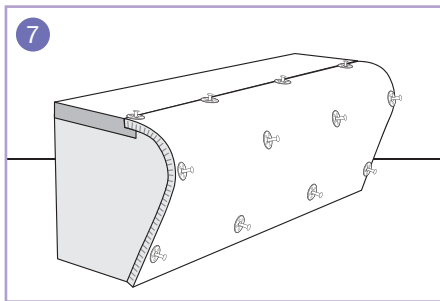


5. Apply a generous bead of adhesive to the front, curved edges of each profile and to the notched parts of the Seat Top.

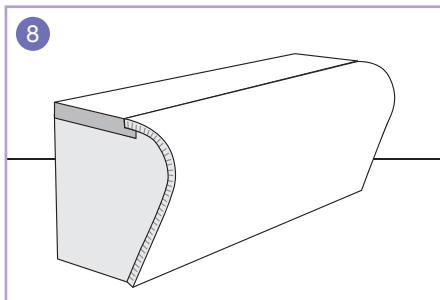
Installation



6. Now position the Flexo Plus Seat Front (**Part C**) firmly against the adhesive beads making sure that the cuts are facing inwards. Any overlap at the base can be trimmed later.



7. Screw and washer fix through the Flexo Plus Seat Front into the curved edges of each profile at the rate of three fixings per profile. Position the first fixing where the Flexo Plus inserts into the notched edge of the seat top, the second on the front curve and the third near the base.



8. When the construction is fully cured (*overnight*) you can fit it into your steam room or wet room using the Board Fix Adhesive. Obviously, trial a dry fit before applying any adhesive. We then advise that you seal all the joints between the seat unit and the room with the Jackoboard Sealing Kit.
9. The screw and washer fixings may be removed before tiling if desired.

Jackoboard Seating Kits are also available in Straight Edge and Curved Edge with Backrest styles.

TileBacker

t.01204 221089 e.sales@tile-backer.co.uk

www.tile-backer.co.uk