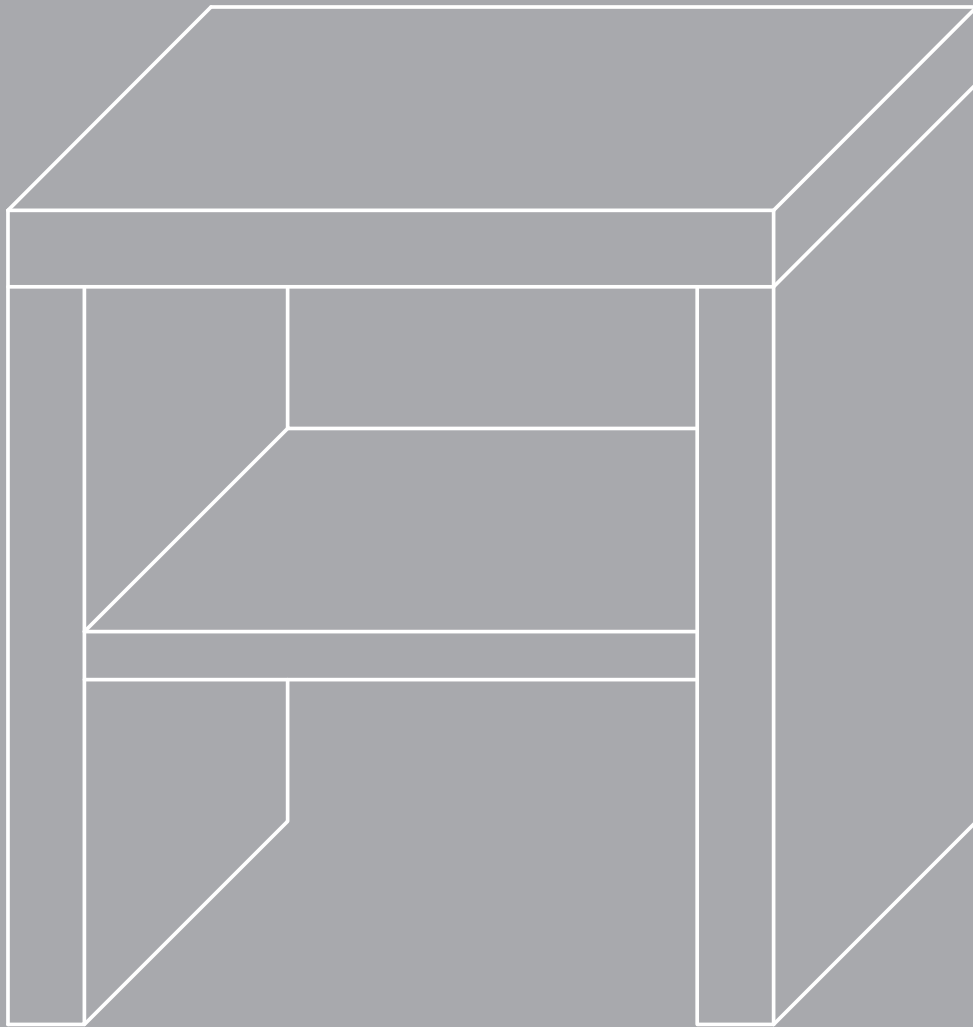


JACKOBOARD® Modula D 800

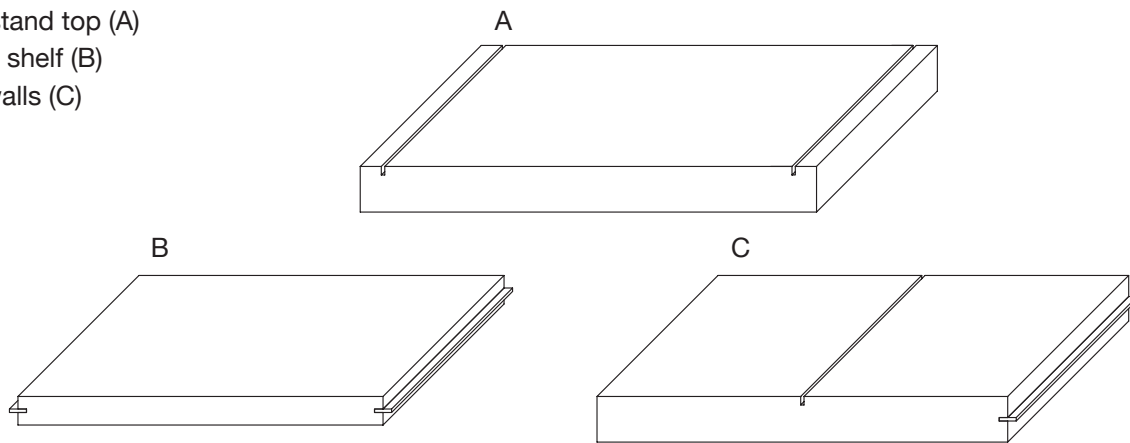
Single washstand.



Installation Instructions

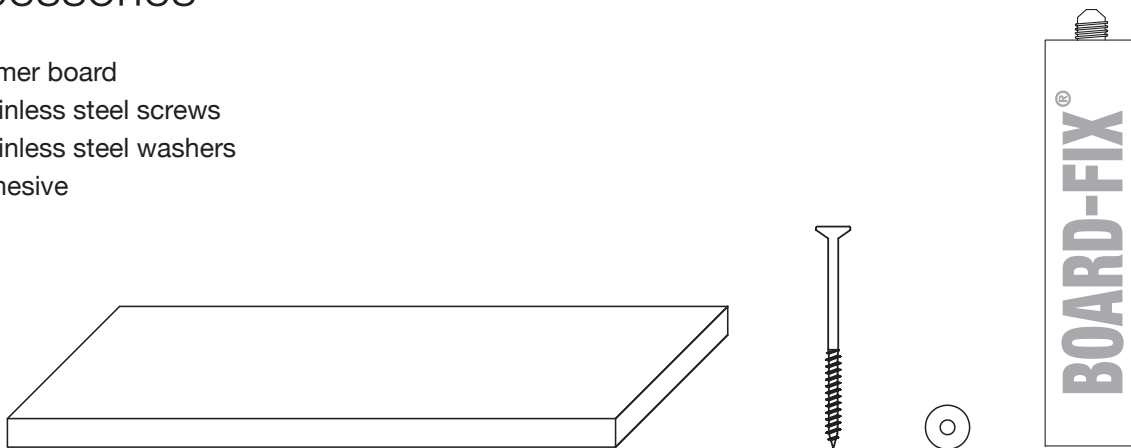
Components

- 1 x washstand top (A)
- 1 x centre shelf (B)
- 2 x side walls (C)



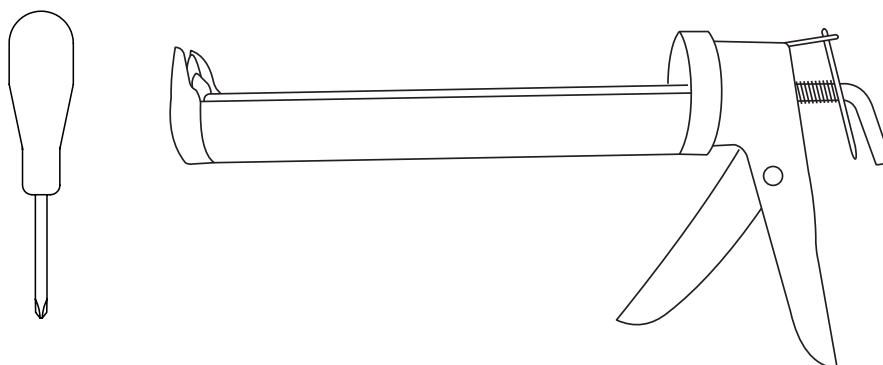
Accessories

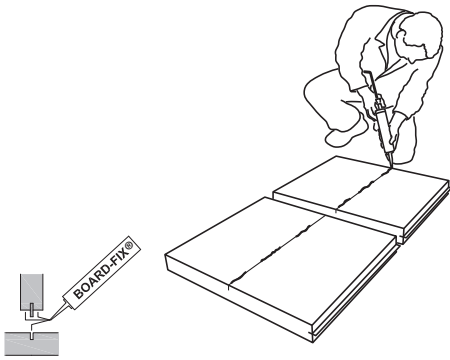
- 1 x former board
- 8 x stainless steel screws
- 8 x stainless steel washers
- 1 x adhesive



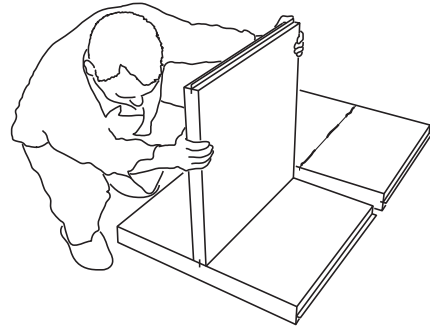
Tools

- Screwdriver
- Cartridge gun

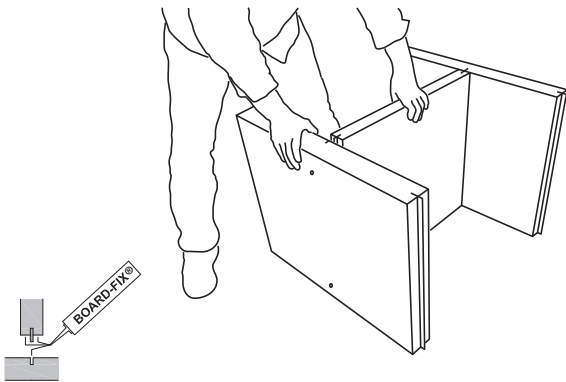




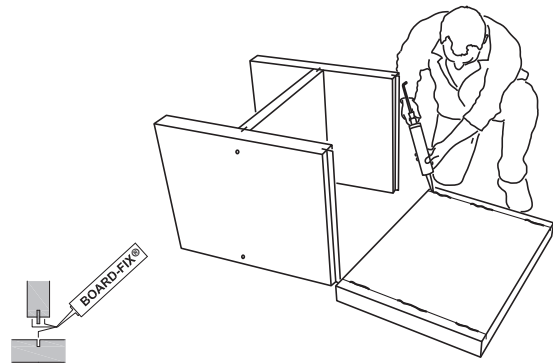
1) Apply adhesive to both joining parts (side walls and centre shelf).



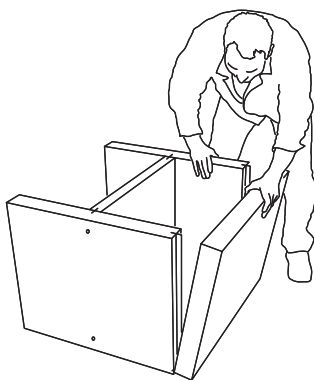
2) Insert the centre shelf into the groove on the side wall. Make sure the centre shelf and side wall are flush.



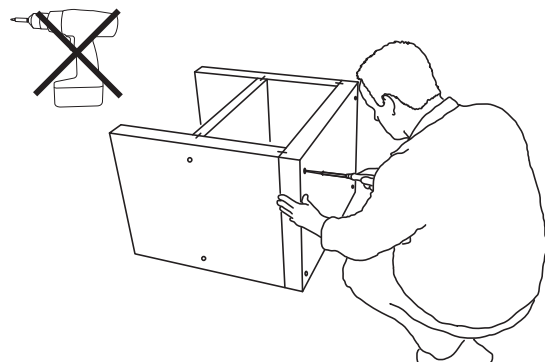
3) Turn the parts together and insert the centre shelf into the 2nd side wall.



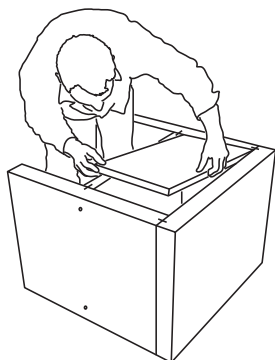
4) Apply adhesive to both joining parts (top and side walls).



5) Glue on the washstand top



6) Screw the washstand together by positioning the screws and washers in all pre-drilled holes. Using a manual screwdriver, tighten the screws until the heads are flush with the surface.



7) Press the former board into the upper compartment of the washstand. This serves to keep it at right angles and is removed once the adhesive has hardened.

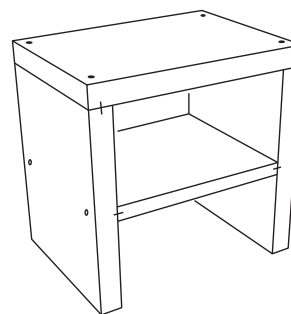
Notes

To ensure sufficient rigidity, the table top of the washstand should be completely tiled.

A hole can be cut out of the top of the washstand to install a recessed washbasin. When doing so, please ensure that a distance of at least 100 mm is left at the front and at least 60 mm at the rear.

Please note

The information in this leaflet is based on our experience and current materials specification. It represents no specific guarantee and the instructions for use outlined should be always observed together with considerations regarding building structure and existing Building Law.



8) The washstand is now complete. Once the adhesive has cured (approx. 24 hours) it can be directly covered with tiles, filler or plaster. To ensure permanency, the washstand must be bonded to the base (wall and floor) using BOARD-FIX® adhesive. Please observe the following notes.

BOARD-FIX® adhesive guarantees the permanent bonding of the washstand components and is therefore a crucial element of the assembly. The purpose of the screws is to facilitate assembly. BOARD-FIX® adhesive is usable for about 10 minutes after application. We therefore recommend that you adhere to the sequence in these instructions when assembling the washstand.